

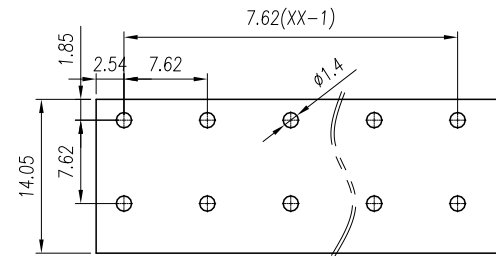
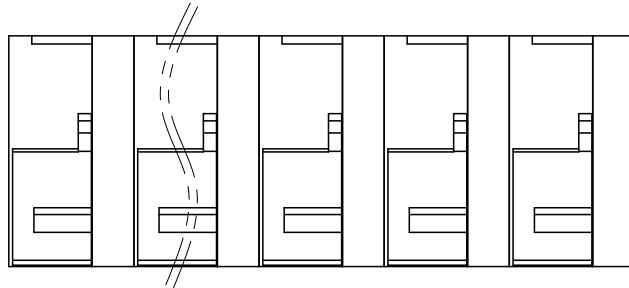


慈溪市万捷电子有限公司

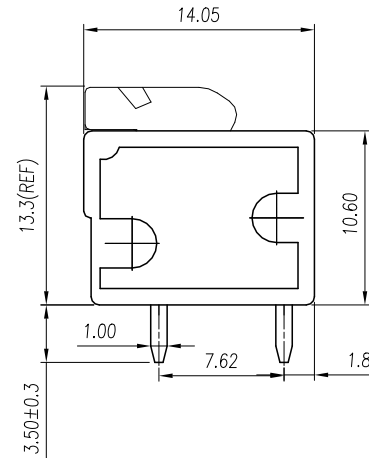
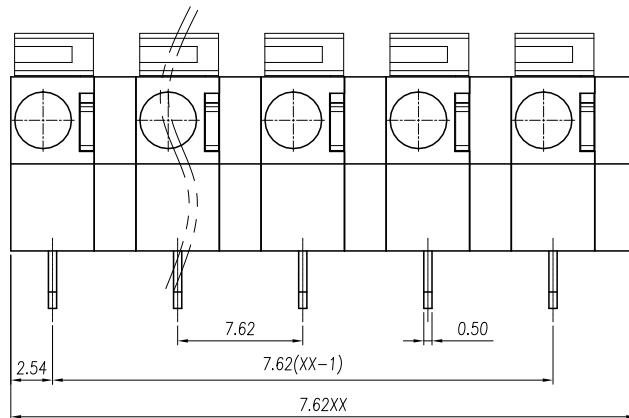
CIXI WANJIE ELECTRONIC CO., LTD

REVISION RECORD

REV.	DESCRIPTION	ECN No.	APPROVED	DATE



P.C.B. LAYOUT



UL/CUL 技术参数			
UL/CUL Technical Data			
等级	Use Group	B	C D
额定电压	Rated Voltage [V]	300	- 300
额定电流	Rated Current [A]	10	- 10
接线范围	Wire Range	24-14	
单/多芯线	Solid/Stranded [AWG]		
耐电压	Withstanding Voltage	1600V/1Min	
IEC 技术参数			
IEC Technical Data			
过电压类别	Overvoltage Category	III	III II
污染等级	Contamination Class	3	2 2
额定电压	Rated Voltage [V]	500	630 1000
额定电流	Rated Current [A]	15	15 15
额定冲击电压	Impulse withstand voltage ^a [KV]	6.0	6.0 6.0
导线截面积	Conductor cross section	0.2-1.5	
硬质/柔性导线	Solid/flexible [mm ²]		
材料			
绝缘材料	Insulation Material	PA66	
阻燃等级	Imflammability	UL94V-0	
导体材料	Contact Material	铜合金 Copper alloy	
导体表面镀层	Contactive Coating	镀锡 Sn Plated	
一般参数			
间距	Pitch /极数 Poles [mm]/[P]	7.62 / 02-24	
剥线长度	Stripping Length [mm]	10-11	
螺丝	Screw/扭矩 Torque(Max) [N.m]	-	
工作温度	Operating temperatur [°C]	-40~105	
引针尺寸	Pin Dimensions [mm]	1.0*0.5	
PCB板孔径	PCB Hole Diameter [mm]	Ø1.4	

linear dimension(Tolerances Standard GB/T 14486-2008)

variable range	to 6	over 6 to 10	over 10 to 30	over 30 to 60	over 60 to 100	over 100 to 160	over 160 to	to 10	over 10 to 100	over 100 to
tolerance	±0.20	±0.30	±0.50	±0.70	±1.00	±1.30	±1.60	0.10	0.30	0.60

单位 / UNITS	mm	尺寸 / SIZE	A4	比例 / SCALE	5:2	第三视角 / THIRD ANGLE PROJECTION	版本 / REV	V0
名称 / TITLE	 慈溪市万捷电子有限公司 CIXI WANJIE ELECTRONIC CO., LTD						WJ142R-7.62-XXP-1YY-00A	