

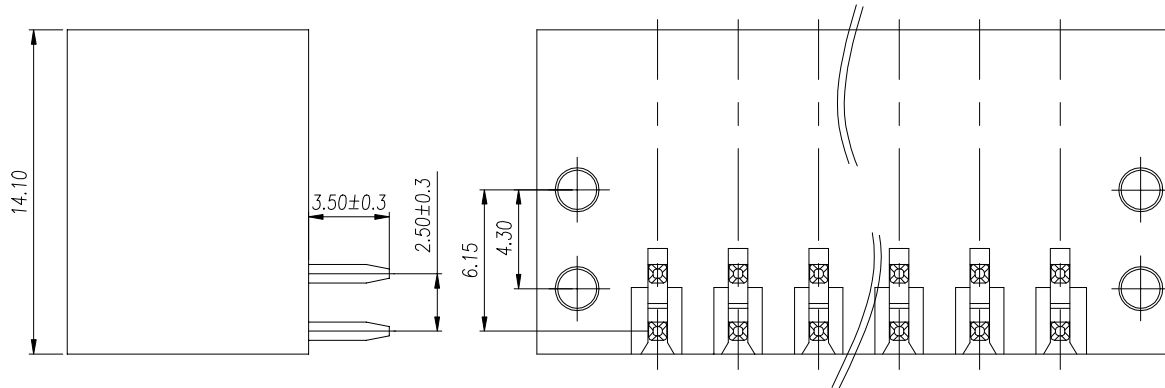
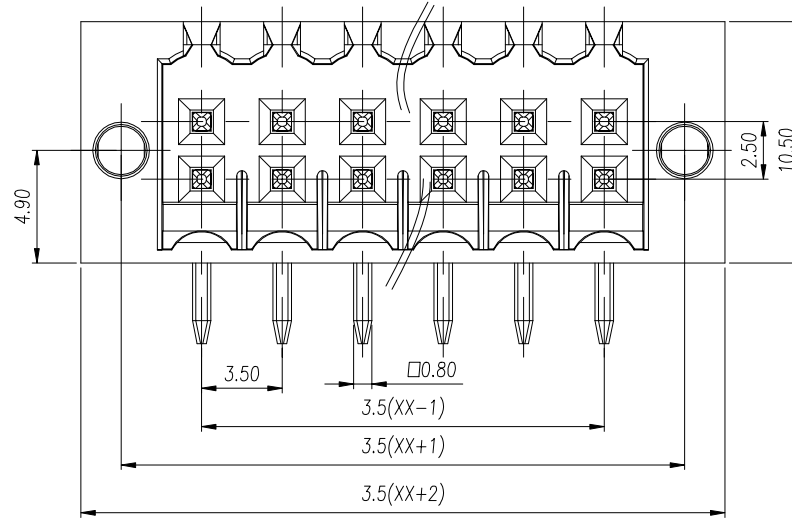
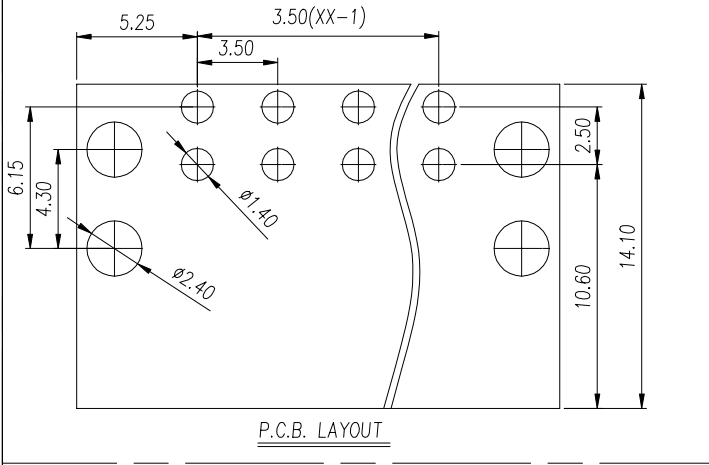


# 慈溪市万捷电子有限公司

## CIXI WANJIE ELECTRONIC CO., LTD

### REVISION RECORD

REV.	DESCRIPTION	ECN No.	APPROVED	DATE



UL/CUL	技术参数			
UL/CUL	Technical Data			
等级	Use Group	B	C	D
额定电压	Rated Voltage [V]	150	-	-
额定电流	Rated Current [A]	10	-	-
接线范围	Wire Range	/		
单/多芯线	Solid/Stranded [AWG]	/		
耐电压	Withstanding Voltage	1300V/1Min		
IEC	技术参数	IEC 61984		
IEC	Technical Data			
过电压类别	Overvoltage Category	III	III	II
污染等级	Contamination Class	3	2	2
额定电压	Rated Voltage [V]	80	125	250
额定电流	Rated Current [A]	10	10	10
额定冲击电压	Impulse withstand voltage [KV]	2.5	2.5	2.5
导线截面积	Conductor cross section	/		
硬质/柔性导线	Solid/flexible [mm <sup>2</sup> ]	/		
材料	Material			
绝缘材料	Insulation Material	PA		
阻燃等级	Imflammability	UL94V-0		
导体材料	Contact Material	铜合金 Copper alloy		
导体镀层	Contactive Coating	镀锡 Sn Plated		
一般参数	Other Data			
间距	Pitch [mm]	3.5		
极数	Poles [P]	2*02~2*24		
剥线长度	Stripping Length [mm]	/		
螺丝	Screw	/		
扭矩	Torque(Max) [N.m]	/		
工作温度	Operating temperature [°C]	-40~105		

linear dimension(Tolerances Standard GB/T 14486-2008)

variable range	to 6	over 6 to 10	over 10 to 30	over 30 to 60	over 60 to 100	over 100 to 160	to 10	over 10 to 100	over 100 to 160	
tolerance	±0.20	±0.30	±0.50	±0.70	±1.00	±1.30	±1.60	0.10	0.30	0.60

单位 / UNITS	mm	尺寸 / SIZE	A4	比例 / SCALE	3:1	第三视角 / THIRD ANGLE PROJECTION	版本 / REV	V0
						名称 / TITLE	WJ15EDGRHSM-3.5-2*XXP-1YY-00A	
						慈溪市万捷电子有限公司 CIXI WANJIE ELECTRONIC CO., LTD		