

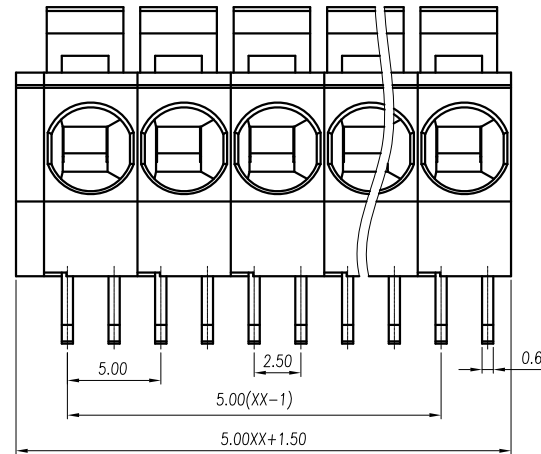
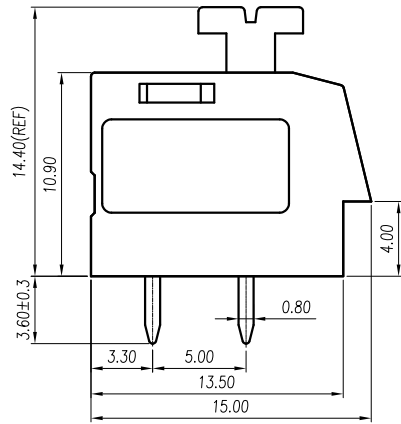
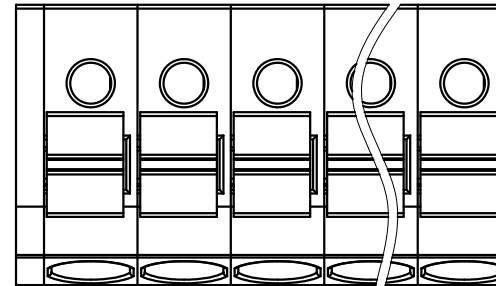
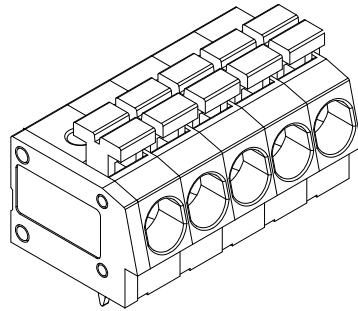
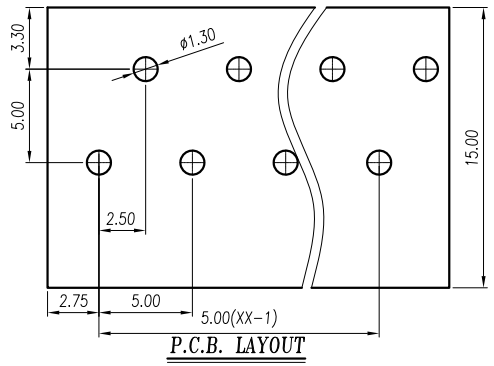


慈溪市万捷电子有限公司

CIXI WANJIE ELECTRONIC CO., LTD

REVISION RECORD

REV.	DESCRIPTION	ECN No.	APPROVED	DATE



UL/CUL 等级	UL/CUL 技术参数	UL®		
等级	Use Group	B	C	D
额定电压	Rated Voltage [V]	300	-	300
额定电流	Rated Current [A]	12	-	10
接线范围	Wire Range	20-12		
单/多芯线	Solid/Stranded [AWG]	20-12		
耐电压	Withstanding Voltage	1600V/1Min		
IEC 技术参数	IEC60947-7-4			
IEC Technical Data	IEC60947-7-4			
过电压类别	Overvoltage Category	III	III	II
污染等级	Contamination Class	3	2	2
额定电压	Rated Voltage [V]	250	320	630
额定电流	Rated Current [A]	24	24	24
额定冲击电压	Impulse withstand voltagea [KV]	4.0	4.0	4.0
导线截面积	Conductor cross section	0.25~2.5		
硬质/柔性导线	Solid/flexible [mm ²]	0.25~2.5		
材料	Material			
绝缘材料	Insulation Material	PA66		
阻燃等级	Imflammability	UL94V-0		
导体材料	Contactior Material	铜合金 Copper alloy		
导体表面镀层	Contactive Coating	镀锡 Sn Plated		
一般参数	Other Data			
间距	Pitch /极数 Poles [mm] / [P]	5.0/1~30		
剥线长度	Stripping Length [mm]	10~11		
螺丝	Screw/扭矩 Torque(Max) [N.m]	/		
工作温度	Operating temperatur [°C]	-40~105		
引针尺寸	Pin Dimensions [mm]	0.8*0.6		
PCB板孔径	PCB Hole Diameter [mm]	Ø1.3		

linear dimension(Tolerances Standard GB/T 14486-2008)

variable range	tolerance	±0.20	±0.30	±0.50	±0.70	±1.00	±1.30	±1.60	0.10	0.30	0.60
to 6	±0.20	±0.30	±0.50	±0.70	±1.00	±1.30	±1.60	0.10	0.30	0.60	
over 6 to 10	±0.30										
over 10 to 30	±0.50										
over 30 to 60	±0.70										
over 60 to 100	±1.00										
over 100 to 160	±1.30										
over 160 to	±1.60										
to 10	0.10										
to 100	0.30										
to	0.60										

单位 / UNITS mm 尺寸 / SIZE A4 比例 / SCALE 5:2 第三视图/THIRD ANGLE PROJECTION 版本 / REV V0

慈溪市万捷电子有限公司 CIXI WANJIE ELECTRONIC CO., LTD 名称 / TITLE WJ237-5.0-XXP-1YY-00A