

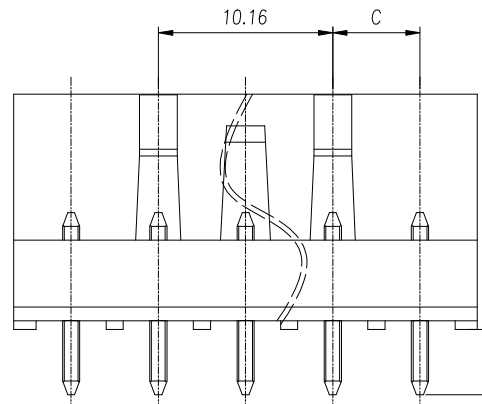
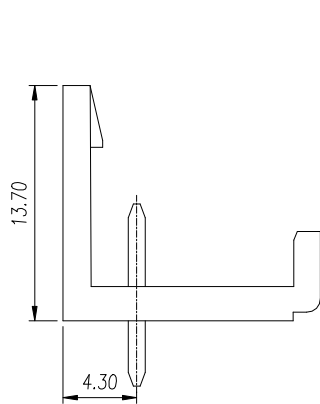
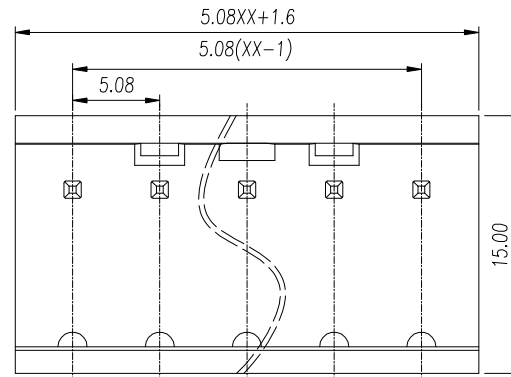
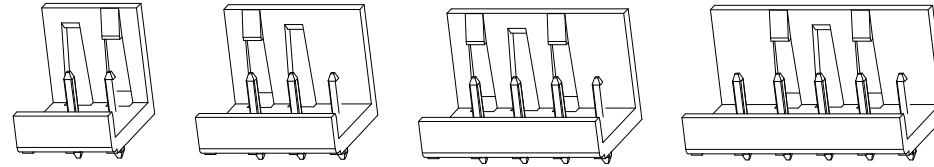
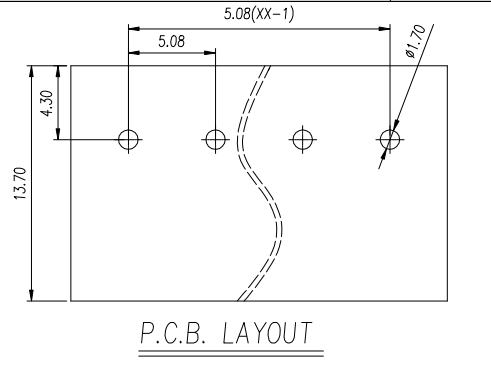


慈溪市万捷电子有限公司

CIXI WANJIE ELECTRONIC CO., LTD

REVISION RECORD

REV.	DESCRIPTION	ECN No.	APPROVED	DATE



UL/CUL 等级	UL/CUL 技术参数	Use Group	B	C	D
额定电压	Rated Voltage [V]		300	-	-
额定电流	Rated Current [A]		18	-	-
接线范围	Wire Range		/		
单/多芯线	Solid/Stranded [AWG]		/		
耐电压	Withstanding Voltage		1600V/1Min		

线数P	尺寸C (mm)
2	0
3	5.08
4	5.08
5	5.08
6	10.16
7	10.16
8	15.24
9	15.24
10	20.32
11	20.32
12	25.40
13	25.40
14	30.48
15	30.48
16	35.56
17	35.56
18	40.64
19	40.64
20	45.72
21	45.72
22	50.80
23	50.80
24	55.88

IEC 技术参数	IEC Technical Data			
过电压类别	Overvoltage Category	III	III	II
污染等级	Contamination Class	3	2	2
额定电压	Rated Voltage [V]	250	320	400
额定电流	Rated Current [A]	15	15	15
额定冲击电压	Impulse withstand voltage [KV]	4.0	4.0	4.0
导线截面积	Conductor cross section	/		
硬质/柔性导线	Solid/flexible [mm ²]	/		

材料	Material		
绝缘材料	Insulation Material	PA66	
阻燃等级	Inflammability	UL94V-0	
导体材料	Contacting Material	铜合金 Copper alloy	
导体表面镀层	Contactive Coating	镀锡 Sn Plated	

一般参数	Other Data		
间距	Pitch / 极数 Poles [mm] / [P]	5.08/02-24P	
剥线长度	Stripping Length [mm]	/	
螺丝	Screw/ 扭矩 Torque(Max) [N.m]	/	
工作温度	Operating temperature [°C]	-40~105	
引针尺寸	Pin Dimensions [mm]	1.0*1.0	
PCB板孔径	PCB Hole Diameter [mm]	Ø1.7	

linear dimension(Tolerances Standard GB/T 14486-2008)

variable range	to 6	over 6 to 10	over 10 to 30	over 30 to 60	over 60 to 100	over 100 to 160	over 160 to 10	over 10 to 100	over 100 to 100	
tolerance	±0.20	±0.30	±0.50	±0.70	±1.00	±1.30	±1.60	0.10	0.30	0.60

单位 / UNITS	mm	尺寸 / SIZE	A4	比例 / SCALE	2:1	第三视角 / THIRD ANGLE PROJECTION	版本 / REV	V0
慈溪市万捷电子有限公司 CIXI WANJIE ELECTRONIC CO., LTD						名称 / TITLE WJ2EDGJ-5.08-XXP-1YY-00A		