

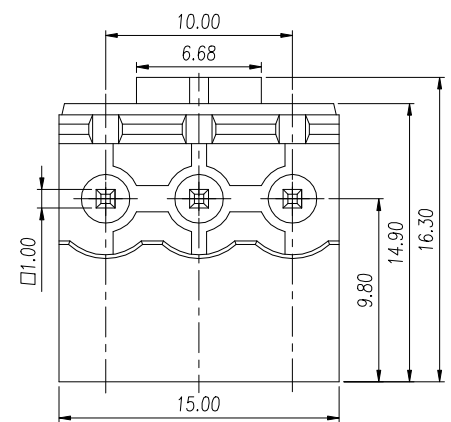
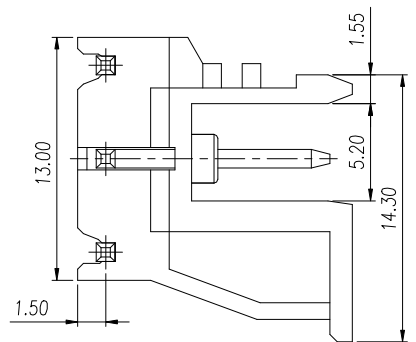
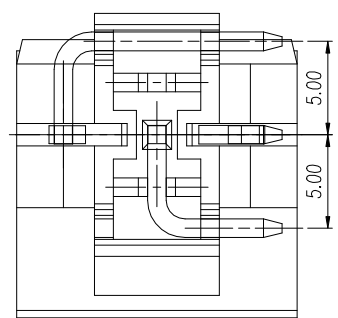
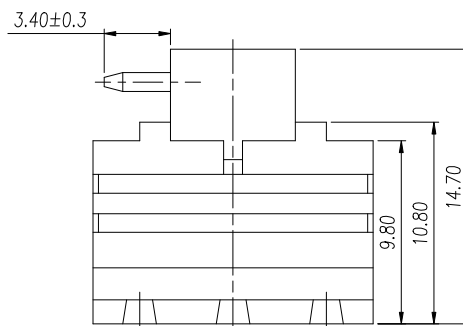
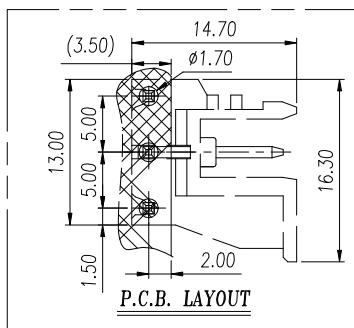


慈溪市万捷电子有限公司

CIXI WANJIE ELECTRONIC CO., LTD

REVISION RECORD

REV.	DESCRIPTION	ECN No.	APPROVED	DATE



UL/CUL 技术参数		UL/CUL Technical Data			cRU [®] us
等级	Use Group	B	C	D	
额定电压	Rated Voltage [V]	300	-	300	
额定电流	Rated Current [A]	15	-	10	
接线范围	Wire Range				
单/多芯线	Solid/Stranded [AWG]				-
耐电压	Withstanding Voltage				1600V/1Min
IEC 技术参数		IEC Technical Data			
过电压类别	Overvoltage Category	III	III	II	
污染等级	Contamination Class	3	2	2	
额定电压	Rated Voltage [V]	250	320	400	
额定电流	Rated Current [A]	16	16	16	
额定冲击电压	Impulse withstand voltagea [KV]	4.0	4.0	4.0	
导线截面积	Conductor cross section				
硬质/柔性导线	Solid/flexible [mm ²]				-
材料		Material			
绝缘材料	Insulation Material				PA66
阻燃等级	Imflammability				UL94V-0
导体材料	Contactur Material				铜合金 Copper alloy
导体表面镀层	Contactive Coating				镀锡 Sn Plated
一般参数		Other Data			
间距	Pitch /极数 Poles [mm]/[P]				5.0 / 03P
剥线长度	Stripping Length [mm]				-
螺丝	Screw/扭矩 Torque(Max) [N.m]				-
工作温度	Operating temperature [°C]				-40~105
焊锡温度	Soldering temperature				260°C/5S
引针尺寸	Pin Dimensions [mm]				1.0*1.0
PCB板孔径	PCB Hole Diameter [mm]				Ø1.7

linear dimension(Tolerances Standard GB/T 14486-2008)

variable range	to 6	over 6 to 10	over 10 to 30	over 30 to 60	over 60 to 100	over 100 to 160	over 160 to	to 10	over 10 to 100	over 100 to
tolerance	±0.20	±0.30	±0.50	±0.70	±1.00	±1.30	±1.60	0.10	0.30	0.60

单位/UNITS mm 尺寸/SIZE A4 比例/SCALE 2.5:1 第三视角/THIRD ANGLE PROJECTION 版本/REV V0

名称/TITLE WJ2EDGLF-5.0-03P-1YY-00A

慈溪市万捷电子有限公司 CIXI WANJIE ELECTRONIC CO., LTD